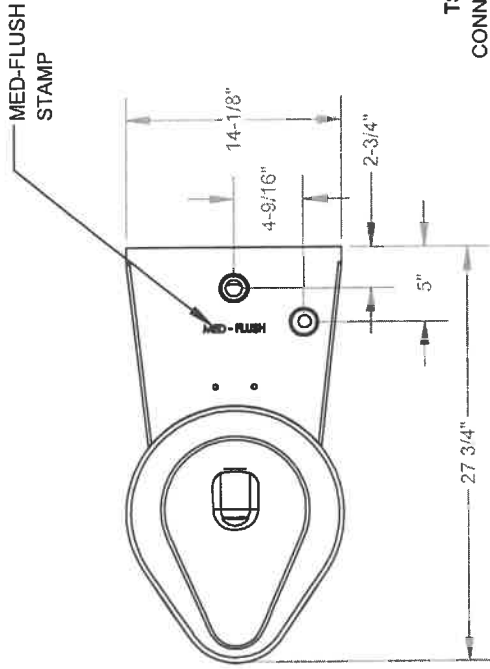
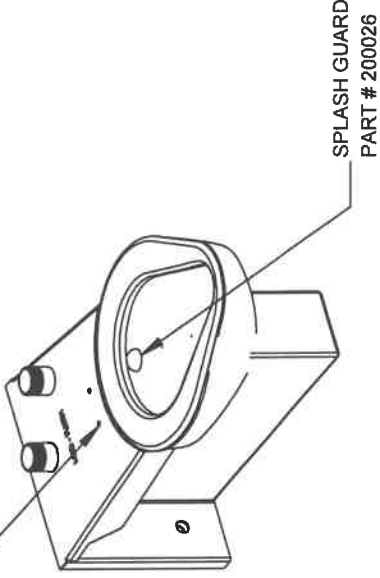


GWC T316

TS HS DC



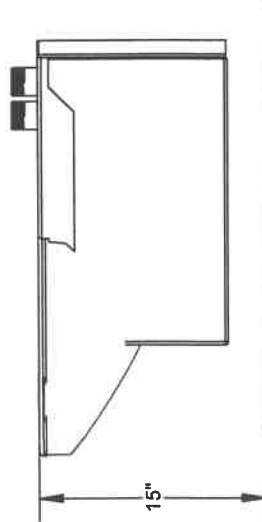
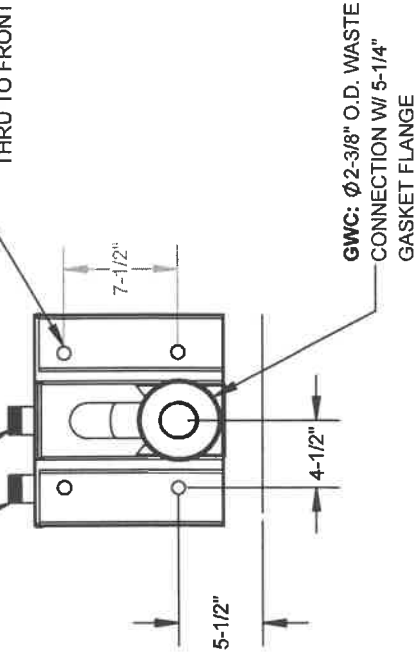
HS: TAPPED FOR HINGED SEAT



TS: TOP FLUSH INLET CONNECTION, 1-1/2" M.I.P.

DR/TS: DIALYSIS CONNECTION 1-1/2" M.I.P. T316

(2) Ø 7/8 HOLES THRU TO FRONT



	TOLERANCES EXCEPT AS NOTED	TITLE / DESC.	MATERIAL	REV.	DATE	BY	CHKD.
	3 P.C.S. ±0.015 5 P.C.S. ±0.015 FRACTIONS: 1/4" ANGLE: 1°	A 1:12	METWS-1490-CM-DIALYSIS TOILET METWS-1490-CM-TS-GWC-HS-DC	14 GA 316 SS	A JDR	3/23/21	JDR
PART # T1490-1001		CUSTOM		SHEET 1 OF 1		3/23/21	